

Sold & Serviced By:



Toll Free Phone (877) SERV098

Toll Free Fax (877) SERV099

www.electromate.com

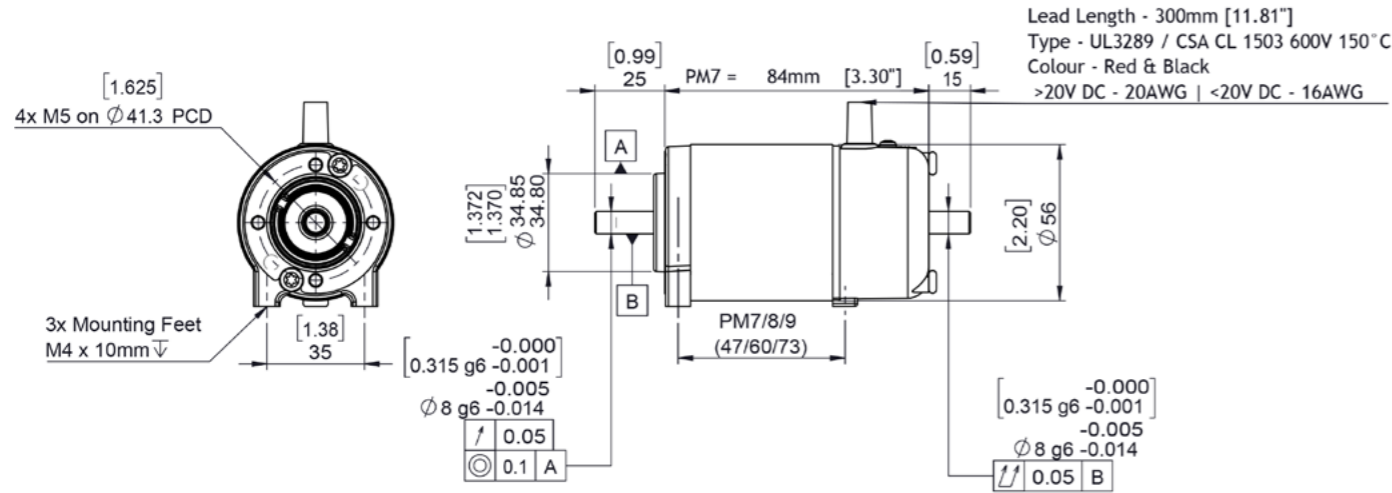
sales@electromate.com



PMDC standard

Reliable and with a high starting torque, Parvalux PMDC motors can be combined with one of our gearboxes to reduce speed and increase torque for the ultimate solution.

- Voltage: 12 - 220 V
- Speed: 1000 - 5000 rpm
- Power: Up to 600 W
- Continuous torque: 0.038 - 1.2 Nm



Part number key		Available on request: Custom shaft length and diameter, shaft on both sides, special windings for specific voltages and speed, higher IP protection class, custom flanges and connectors			
Modular	#####	All products are built in accordance to performance tolerances from EN60034-1:2010. As continuous improvement, Parvalux periodically test their product range to ensure test results are as accurate as possible and are therefore subject to change. Please ensure you are using the latest datasheets found on our website			
Standard	#####				
Calculated data	#####				
Technical data					

1 Part number		775282	775283	775284	775285
2 Nominal power	W	15	15	15	15
3 Nominal voltage	V	12	24	40	48
4 No load speed	rpm	3743	4057	4194	4154
5 No load current	A	0.40	0.28	0.13	0.11
6 Nominal speed	rpm	3000	3000	3000	3000
7 Nominal continuous torque (S1)	Nm	0.05	0.05	0.05	0.05
8 Nominal continuous current (S1)	A	2.11	1.39	0.75	0.62
9 Max. intermittent torque (S2 - 15 minutes)	Nm	0.08	0.08	0.08	0.08
10 Stall current	A	10.0	4.9	2.4	2.0
11 Stall torque	Nm	0.3	0.2	0.2	0.2
12 Stack length	mm	12	12	12	12
13 Maximum efficiency	%	61	47	52	52
14 Terminal resistance - phase to phase	Ω	1.0	4.9	16.7	24.2
15 Terminal inductance - phase to phase	mH	-	-	-	-
16 Speed constant	rpm/V	319	172	112	93
17 Torque constant	Nm/A	0.028	0.043	0.078	0.094
18 Speed torque gradient	rpm/Nm	13959	20491	23482	23483
19 Rotor inertia	gcm²	361	361	361	361

Thermal data

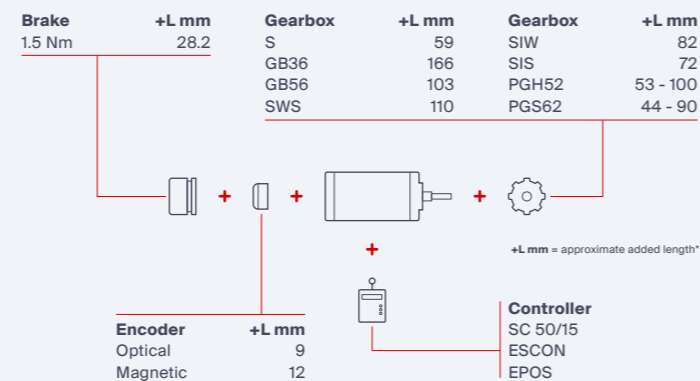
20 Ambient temperature	°C	40
------------------------	-----------	----

Mechanical data

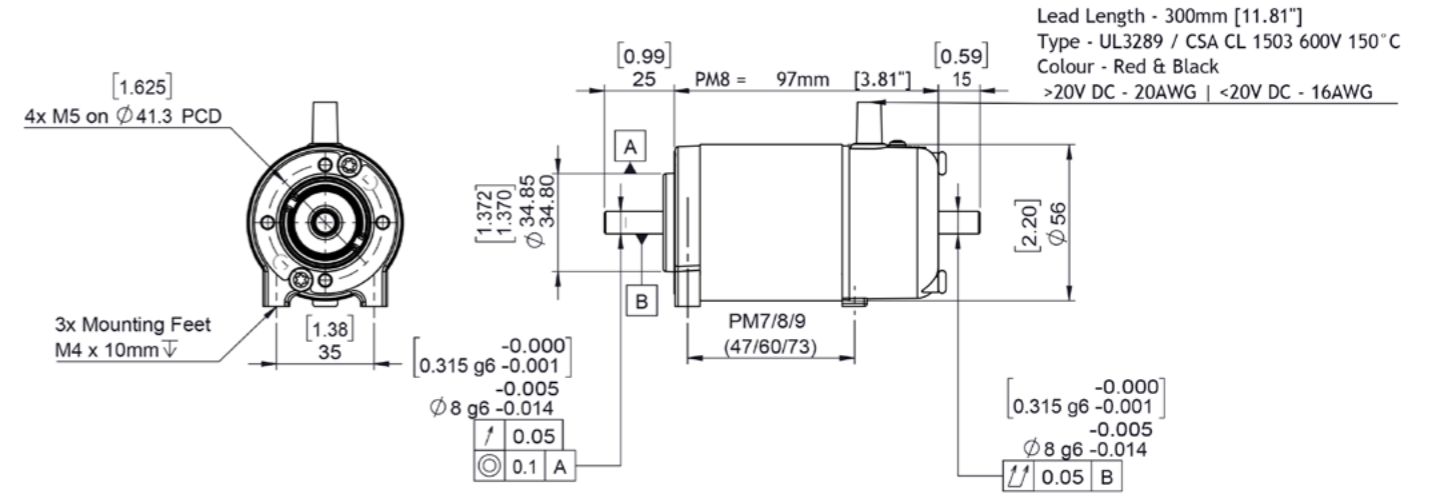
21 Radial load [distance from flange]	N [mm]	110 [15]
---------------------------------------	---------------	----------

Other data

22 Number of poles		2
23 Weight	Kg	0.5
24 IP rating		IP54
25 Enclosure		Enclosed
26 Insulation Class		F
27 Reversible		Yes



*additional length may also be required for mounting flange between components



Part number key		Available on request: Custom shaft length and diameter, shaft on both sides, special windings for specific voltages and speed, higher IP protection class, custom flanges and connectors					
Modular	#####	All products are built in accordance to performance tolerances from EN60034-1:2010. As continuous improvement, Parvalux periodically test their product range to ensure test results are as accurate as possible and are therefore subject to change. Please ensure you are using the latest datasheets found on our website					
Standard	#####						
Calculated data	#####						
Technical data							

1 Part number		775295	775296	775297	775298	775299	775300
2 Nominal power	W	25	25	25	25	25	25
3 Nominal voltage	V	12	24	40	48	110	220
4 No load speed	rpm	4317	3812	4099	3936	3849	4229
5 No load current	A	0.60	0.20	0.13	0.11	0.05	0.03
6 Nominal speed	rpm	3000	3000	3000	3000	3000	3000
7 Nominal continuous torque (S1)	Nm	0.078	0.078	0.078	0.078	0.078	0.078
8 Nominal continuous current (S1)	A	3.60	1.90	1.03	0.76	0.34	0.18
9 Max. intermittent torque (S2 - 15 minutes)	Nm	0.11	0.11	0.11	0.11	0.11	0.11
10 Stall current	A	19.0	7.9	5.4	4.1	1.3	0.8
11 Stall torque	Nm	0.5	0.5	0.5	0.4	0.3	0.4
12 Stack length	mm	24	24	24	24	24	24
13 Maximum efficiency	%	68	64	65	71	62	70
14 Terminal resistance - phase to phase	Ω	0.5	2.4	4.7	11.7	72.0	171.0
15 Terminal inductance - phase to phase	mH	-	-	-	-	-	-
16 Speed constant	rpm/V	353	151	97	78	34	18
17 Torque constant	Nm/A	0.026	0.060	0.090	0.120	0.260	0.520
18 Speed torque gradient	rpm/Nm	9131	8230	4593	9980	13485	10916
19 Rotor inertia	gcm²	523	523	523	523	523	523

Thermal data

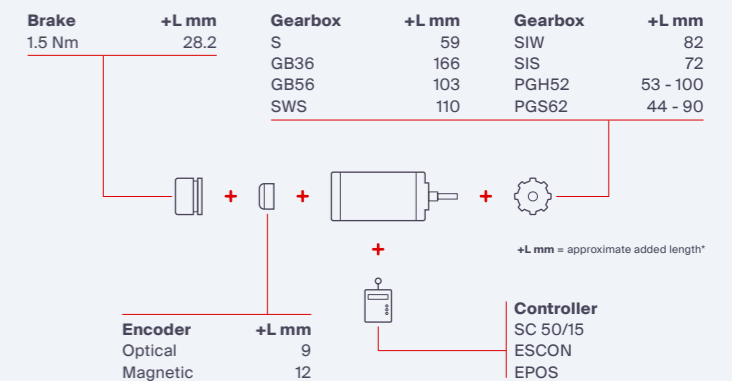
20 Ambient temperature	°C	40
------------------------	-----------	----

Mechanical data

21 Radial load [distance from flange]	N [mm]	110 [15]
---------------------------------------	---------------	----------

Other data

22 Number of poles		2
23 Weight	Kg	0.6
24 IP rating		IP54
25 Enclosure		Enclosed
26 Insulation Class		F
27 Reversible		Yes



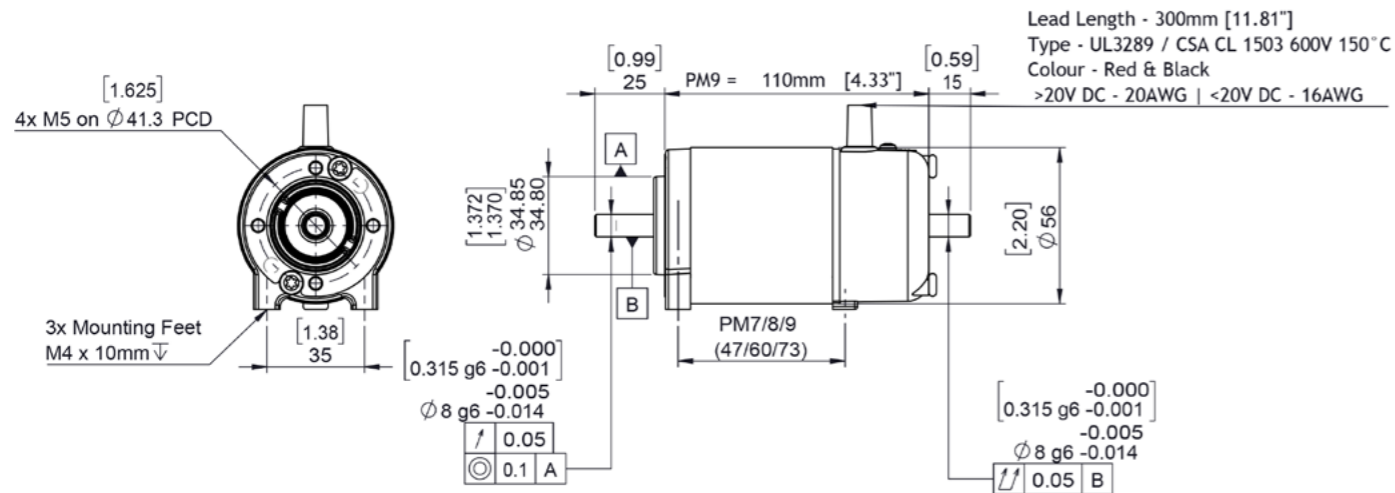
*additional length may also be required for mounting flange between components

PM9

PMDC motor

Ø56 mm frame // 37 mm stack

all dimensions in mm



Part number key		Available on request: Custom shaft length and diameter, shaft on both sides, special windings for specific voltages and speed, higher IP protection class, custom flanges and connectors					
Modular	#####	All products are built in accordance to performance tolerances from EN60034-1:2010. As continuous improvement, Parvalux periodically test their product range to ensure test results are as accurate as possible and are therefore subject to change. Please ensure you are using the latest datasheets found on our website					
Standard	#####						
Calculated data	#####						

Technical data							
1 Part number		775302	775303	775304	775305	775306	775307
2 Nominal power	W	38	38	38	38	38	38
3 Nominal voltage	V	12	24	40	48	110	220
4 No load speed	rpm	3546	3674	3700	3738	3813	3645
5 No load current	A	0.50	0.20	0.12	0.10	0.10	0.05
6 Nominal speed	rpm	3000	3000	3000	3000	3000	3000
7 Nominal continuous torque (S1)	Nm	0.12	0.12	0.12	0.12	0.12	0.12
8 Nominal continuous current (S1)	A	4.2	2.1	1.3	1.1	0.5	0.3
9 Max. intermittent torque (S2 - 15 minutes)	Nm	0.17	0.17	0.17	0.17	0.17	0.17
10 Stall current	A	18.30	10.30	6.20	5.30	2.44	1.12
11 Stall torque	Nm	0.60	0.63	0.63	0.64	0.63	0.60
12 Stack length	mm	37	37	37	37	37	37
13 Maximum efficiency	%	71	75	75	75	66	66
14 Terminal resistance - phase to phase	Ω	0.7	1.8	6.4	9.0	45.0	197.0
15 Terminal inductance - phase to phase	mH	-	-	-	-	-	-
16 Speed constant	rpm/V	296	148	90	76	35	17
17 Torque constant	Nm/A	0.033	0.063	0.104	0.120	0.270	0.570
18 Speed torque gradient	rpm/Nm	6087	5827	5827	5825	6055	6055
19 Rotor inertia	gcm²	596	596	596	596	596	596

Thermal data		Compatible products	
20 Ambient temperature	°C	40	
Mechanical data			
21 Radial load [distance from flange]	N [mm]	110 [15]	
Other data			
22 Number of poles		2	
23 Weight	Kg	0.7	
24 IP rating		IP54	
25 Enclosure		Enclosed	
26 Insulation Class		F	
27 Reversible		Yes	

Brake
1.5 Nm

+L mm
28.2

Gearbox
S
GB36
GB56
SWS

+L mm
59
166
103
110

Gearbox
SIW
SIS
PGH52
PGS62

+L mm
82
72
53 - 100
44 - 90

Encoder
Optical
Magnetic

+L mm
9
12

Controller
SC 50/15
ESCON
EPOS

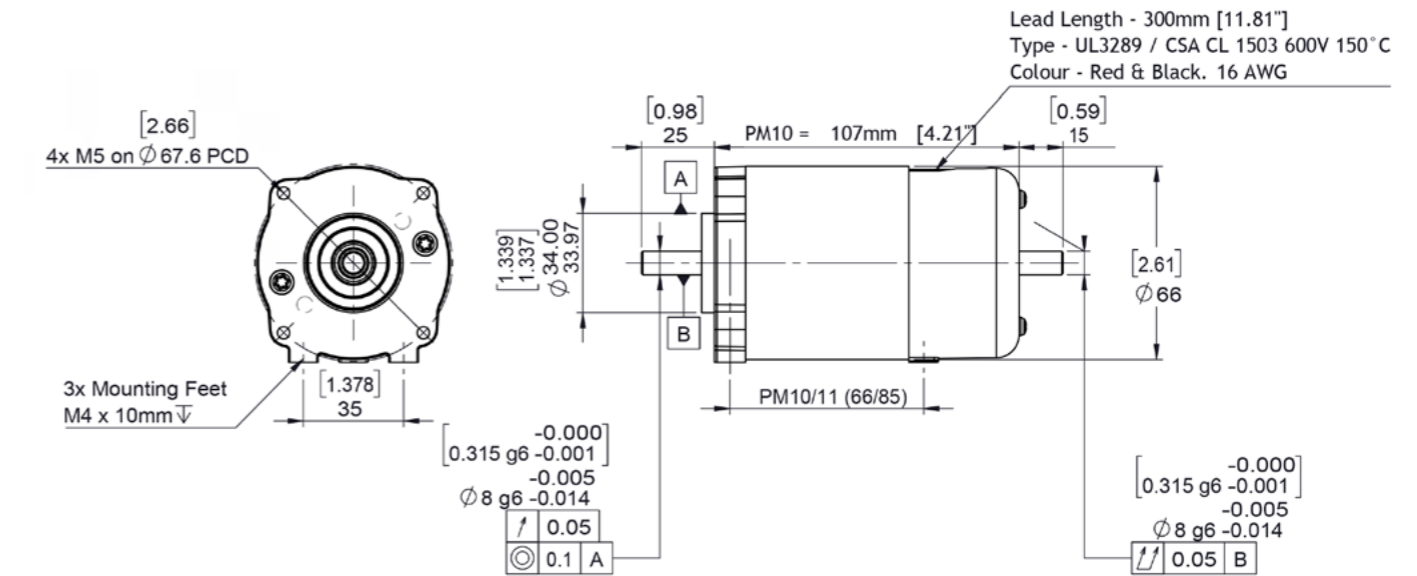
*additional length may also be required for mounting flange between components

PM10

PMDC motor

Ø66 mm frame // 26 mm stack

all dimensions in mm



Part number key		Available on request: Custom shaft length and diameter, shaft on both sides, special windings for specific voltages and speed, higher IP protection class, custom flanges and connectors					
Modular	#####	All products are built in accordance to performance tolerances from EN60034-1:2010. As continuous improvement, Parvalux periodically test their product range to ensure test results are as accurate as possible and are therefore subject to change. Please ensure you are using the latest datasheets found on our website					
Standard	#####						
Calculated data	#####						

Technical data							
1 Part number		775321	775322	775323	775324	775325	775326
2 Nominal power	W	45	45	45	45	45	45
3 Nominal voltage	V	12	24	40	48	110	220
4 No load speed	rpm	4185	3895	3820	4082	4252	3707
5 No load current	A	0.70	0.34	0.19	0.21	0.07	0.04
6 Nominal speed	rpm	3000	3000	3000	3000	3000	3000
7 Nominal continuous torque (S1)	Nm	0.14	0.14	0.14	0.14	0.14	0.14
8 Nominal continuous current (S1)	A	6.00	2.60	1.70	1.55	0.64	0.30
9 Max. intermittent torque (S2 - 15 minutes)	Nm	0.20	0.20	0.20	0.20	0.20	0.20
10 Stall current	A	32.0	11.0	7.9	6.9	3.3	1.5
11 Stall torque	Nm	0.8	0.7	0.7	0.7	0.8	0.8
12 Stack length	mm	26	26	26	26	26	26
13 Maximum efficiency	%	71	74	67	66	73	69
14 Terminal resistance - phase to phase	Ω	0.3	1.2	5.1	5.6	23.7	116.0
15 Terminal inductance - phase to phase	mH	-	-	-	-	-	-
16 Speed constant	rpm/V	341	154	93	80	35	16
17 Torque constant	Nm/A	0.260	0.062	0.092	0.105	0.240	0.540
18 Speed torque gradient	rpm/Nm	5165	5765	5385	5854	5342	4827
19 Rotor inertia	gcm²	944	944	944	944	944	944

Thermal data		Compatible products	
20 Ambient temperature	°C	40	
Mechanical data			
21 Radial load [distance from flange]	N [mm]	150 [15]	
Other data			
22 Number of poles		2	
23 Weight	Kg	1.1	
24 IP rating		IP54	
25 Enclosure		Enclosed	
26 Insulation Class		F	
27 Reversible		Yes	

Brake
1.5 Nm

+L mm
28.2

Gearbox
S
M
GB28
GB36

+L mm
59
85
85
166

Gearbox
MIW
MWS
MIS
LIW

+L mm
83
110
95
102

Gearbox
LWS
LIS
PGS62
PGS71

+L mm
127
108
44 - 90
49 - 99

Encoder
Optical
Magnetic

+L mm
9
12

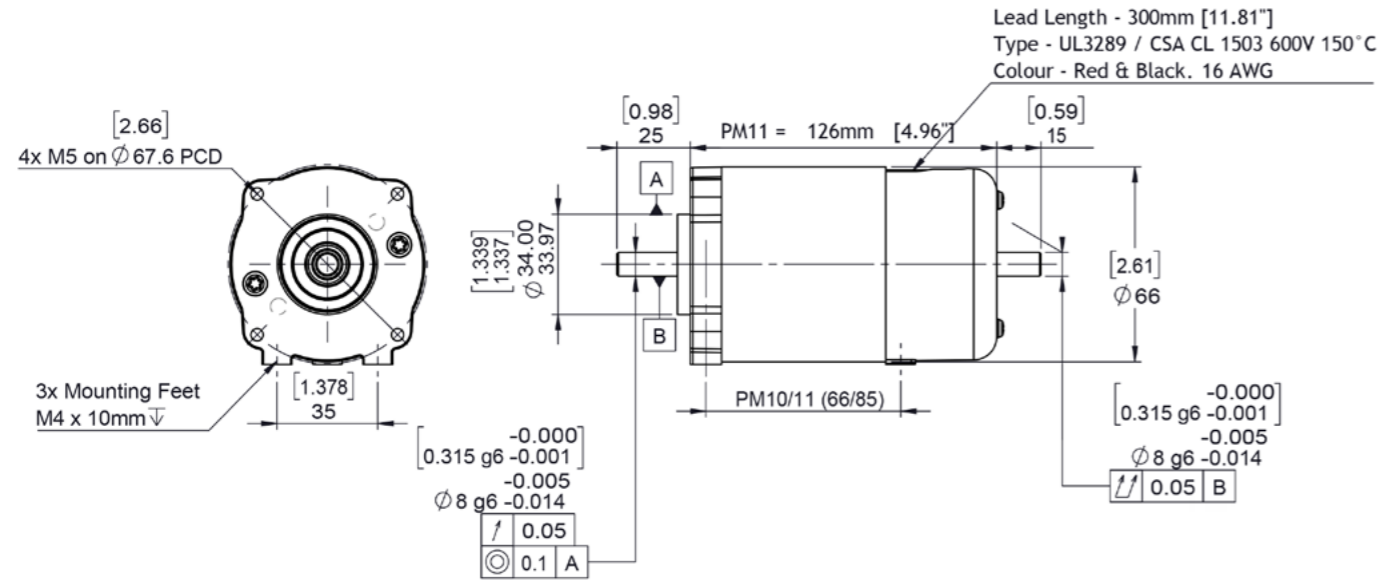
Controller
SC 50/15
ESCON
EPOS

*additional length may also be required for mounting flange between components

PM11 PMDC motor

Ø66 mm frame // 44 mm stack

all dimensions in mm



Part number key		Available on request: Custom shaft length and diameter, shaft on both sides, special windings for specific voltages and speed, higher IP protection class, custom flanges and connectors					
Modular	#####	All products are built in accordance to performance tolerances from EN60034-1:2010. As continuous improvement, Parvalux periodically test their product range to ensure test results are as accurate as possible and are therefore subject to change. Please ensure you are using the latest datasheets found on our website					
Standard	#####						
Calculated data	#####						

Technical data							
1 Part number		775328	775329	775330	775331	775332	775333
2 Nominal power	W	101	101	101	101	101	101
3 Nominal voltage	V	12	24	40	48	110	220
4 No load speed	rpm	4004	4012	3804	3844	3627	3957
5 No load current	A	0.60	0.40	0.28	0.23	0.12	0.05
6 Nominal speed	rpm	3000	3000	3000	3000	3000	3000
7 Nominal continuous torque (S1)	Nm	0.32	0.32	0.32	0.32	0.32	0.32
8 Nominal continuous current (S1)	A	12.3	5.6	3.3	1.2	1.2	0.7
9 Max. intermittent torque (S2 - 15 minutes)	Nm	0.53	0.53	0.53	0.53	0.53	0.53
10 Stall current	A	47.0	22.0	17.0	14.0	6.4	2.5
11 Stall torque	Nm	1.3	1.3	1.8	1.8	1.9	1.3
12 Stack length	mm	44	44	44	44	44	44
13 Maximum efficiency	%	76	81	82	82	80	74
14 Terminal resistance - phase to phase	Ω	0.1	0.7	2.4	1.2	17.2	50.0
15 Terminal inductance - phase to phase	mH	-	-	-	-	-	-
16 Speed constant	rpm/V	321	162	93	77	33	18
17 Torque constant	Nm/A	0.03	0.06	0.10	0.12	0.30	0.52
18 Speed torque gradient	rpm/Nm	3149	3061	2142	2165	1914	3051
19 Rotor inertia	gcm²	1260	1260	1260	1260	1260	1260

Thermal data		Compatible products			
20 Ambient temperature	°C	40			
Mechanical data					
21 Radial load [distance from flange]	N [mm]	150 [15]			
Other data					
22 Number of poles		2			
23 Weight	Kg	1.6			
24 IP rating		IP54			
25 Enclosure		Enclosed			
26 Insulation Class		F			
27 Reversible		Yes			

Gearbox	+L mm	Gearbox	+L mm	Gearbox	+L mm
S	59	MIW	83	LWS	127
M	85	MWS	110	LIS	108
GB28	85	MIS	95	PGS62	44 - 90
GB36	166	LIW	102	PGS71	49 - 99

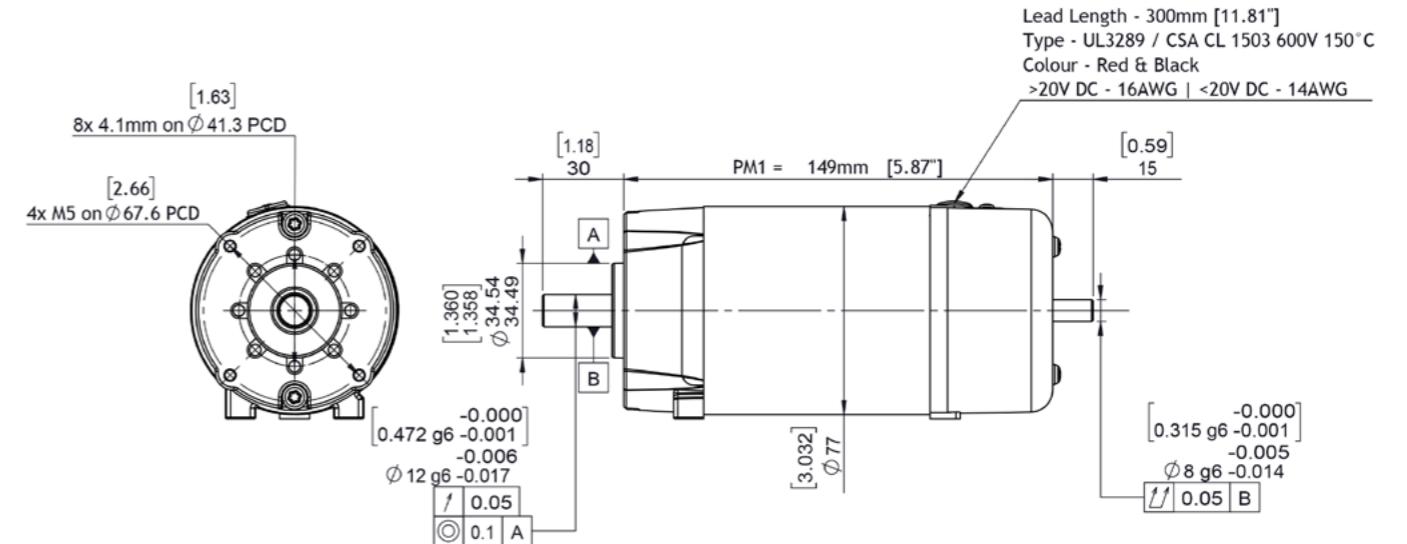
Encoder	+L mm	Controller
Optical	9	SC 50/15
Magnetic	12	ESCON
		EPOS

*additional length may also be required for mounting flange between components

PM1 PMDC motor

Ø76 mm frame // 45 mm stack

all dimensions in mm



Part number key		Available on request: Custom shaft length and diameter, shaft on both sides, special windings for specific voltages and speed, higher IP protection class, custom flanges and connectors					
Modular	#####	All products are built in accordance to performance tolerances from EN60034-1:2010. As continuous improvement, Parvalux periodically test their product range to ensure test results are as accurate as possible and are therefore subject to change. Please ensure you are using the latest datasheets found on our website					
Standard	#####						
Calculated data	#####						

Technical data							
1 Part number		773352	773353	773354	773355	773356	773357
2 Nominal power	W	157	157	157	157	157	157
3 Nominal voltage	V	12	24	40	48	110	220
4 No load speed	rpm	4364	4115	3676	3870	3874	4110
5 No load current	A	1.46	1.08	0.56	0.45	0.26	0.12
6 Nominal speed	rpm	3000	3000	3000	3000	3000	3000
7 Nominal continuous torque (S1)	Nm	0.5	0.5	0.5	0.5	0.5	0.5
8 Nominal continuous current (S1)	A	22.5	10.5	5.7	4.7	2.3	1.1
9 Max. intermittent torque (S2 - 15 minutes)	Nm	0.65	0.65	0.65	0.65	0.65	0.65
10 Stall current	A	72.0	40.3	30.0	24.0	9.4	4.2
11 Stall torque	Nm	1.9	2.1	2.9	2.8	2.3	2.1
12 Stack length	mm	45	45	45	45	45	45
13 Maximum efficiency	%	69	68	71	75	63	71
14 Terminal resistance - phase to phase	Ω	0.2	0.6	1.3	2.0	11.8	52.6
15 Terminal inductance - phase to phase	mH	-	-	-	-	-	-
16 Speed constant	rpm/V	351	175	89	77	35	18
17 Torque constant	Nm/A	0.024	0.053	0.099	0.120	0.250	0.510
18 Speed torque gradient	rpm/Nm	2601	1963	1283	1398	1715	1991
19 Rotor inertia	gcm²	1260	1260	1260	1260	1260	1260

Thermal data		Compatible products			
20 Ambient temperature	°C	40			
Mechanical data					
21 Radial load [distance from flange]	N [mm]	200 [15]			
Other data					
22 Number of poles		2			
23 Weight	Kg	2.1			
24 IP rating		IP21			
25 Enclosure		Ventilated			
26 Insulation Class		F			
27 Reversible		Yes			

Brake	+L mm	Gearbox	+L mm	Gearbox	+L mm
1.5 Nm	28.2	M	85	LWS	127
2.0 Nm	32.4	GB12	110	LIS	108
		MIW	83	PGS71	49 - 99
		MIS	95	PGS80	52 - 102
		LIW	102		

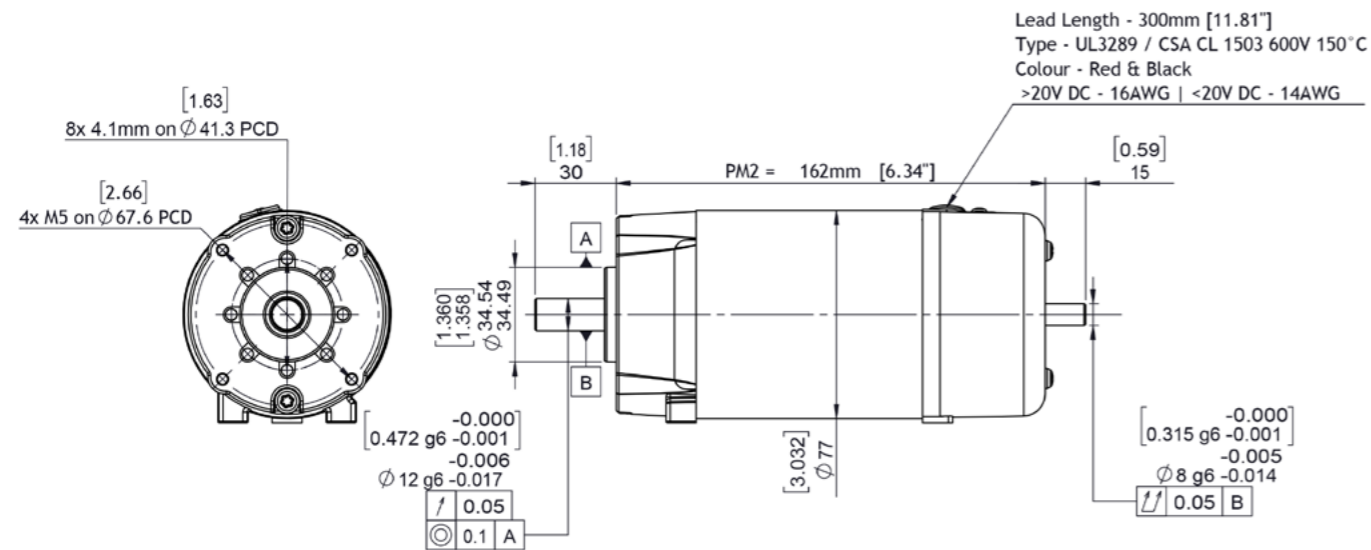
Encoder	+L mm	Controller
Optical	9	SC 50/15
Magnetic	12	ESCON
		EPOS

*additional length may also be required for mounting flange between components

PM2

PMDC motor
Ø76 mm frame // 57 mm stack

all dimensions in mm



Part number key		Available on request: Custom shaft length and diameter, shaft on both sides, special windings for specific voltages and speed, higher IP protection class, custom flanges and connectors					
Modular	#####	All products are built in accordance to performance tolerances from EN60034-1:2010. As continuous improvement, Parvalux periodically test their product range to ensure test results are as accurate as possible and are therefore subject to change. Please ensure you are using the latest datasheets found on our website					
Standard	#####						
Calculated data	#####						

Technical data							
1 Part number		773842	773843	773844	773845	773846	773847
2 Nominal power	W	182	182	182	182	182	182
3 Nominal voltage	V	12	24	40	48	110	220
4 No load speed	rpm	4436	3850	3697	4117	3856	4011
5 No load current	A	1.90	1.28	0.55	0.70	0.18	0.11
6 Nominal speed	rpm	3000	3000	3000	3000	3000	3000
7 Nominal continuous torque (S1)	Nm	0.58	0.58	0.58	0.58	0.58	0.58
8 Nominal continuous current (S1)	A	23.5	11.3	6.5	5.9	2.5	1.3
9 Max. intermittent torque (S2 - 15 minutes)	Nm	0.68	0.75	0.75	0.75	0.75	0.75
10 Stall current	A	63.4	44.3	33.4	20.0	10.4	5.2
11 Stall torque	Nm	1.7	2.5	3.2	2.1	2.6	2.6
12 Stack length	mm	57	57	57	57	57	57
13 Maximum efficiency	%	73	69	73	68	72	72
14 Terminal resistance - phase to phase	Ω	0.2	0.5	1.2	2.4	10.4	42.0
15 Terminal inductance - phase to phase	mH	-	-	-	-	-	-
16 Speed constant	rpm/V	343	161	90	86	35	17
17 Torque constant	Nm/A	0.03	0.06	0.01	0.11	0.25	0.51
18 Speed torque gradient	rpm/Nm	2695	1539	1143	1916	1470	1528
19 Rotor inertia	gcm²	2830	2830	2830	2830	2830	2830

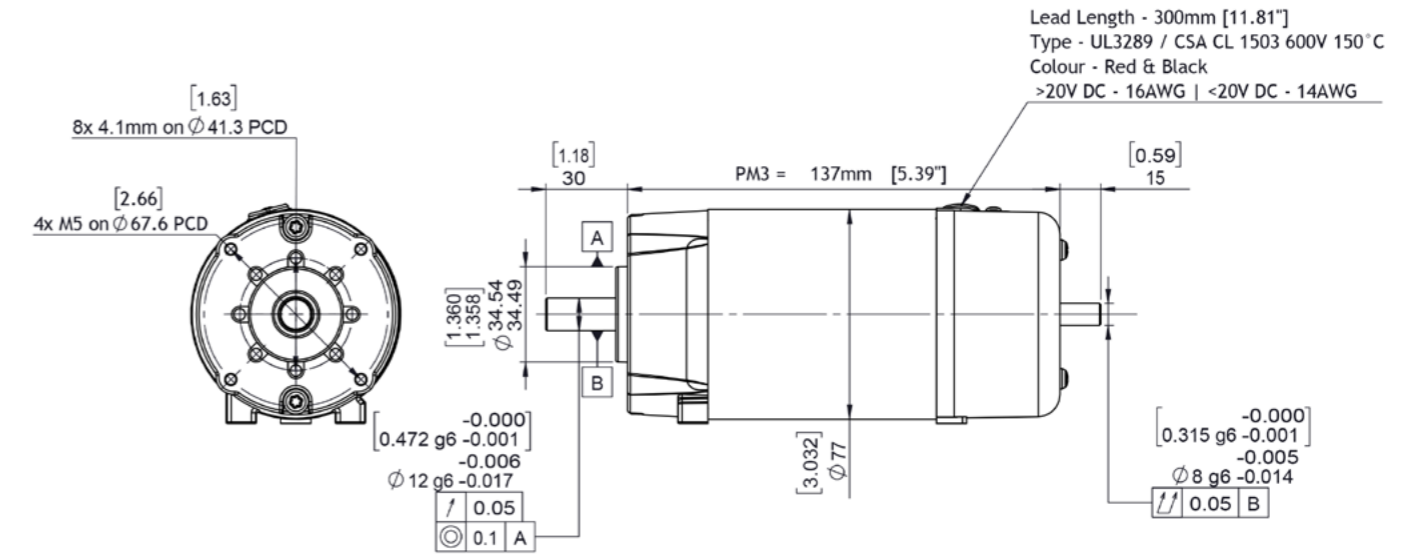
Thermal data		Compatible products																																									
20 Ambient temperature	°C	40																																									
Mechanical data		<table border="1"> <thead> <tr> <th>Brake</th> <th>+L mm</th> <th>Gearbox</th> <th>+L mm</th> <th>Gearbox</th> <th>+L mm</th> </tr> </thead> <tbody> <tr> <td>1.5 Nm</td> <td>28.2</td> <td>M</td> <td>85</td> <td>LWS</td> <td>127</td> </tr> <tr> <td>2.0 Nm</td> <td>32.4</td> <td>GB12</td> <td>110</td> <td>LIS</td> <td>108</td> </tr> <tr> <td></td> <td></td> <td>MIW</td> <td>83</td> <td>PGS71</td> <td>49 - 99</td> </tr> <tr> <td></td> <td></td> <td>MIS</td> <td>95</td> <td>PGS80</td> <td>52 - 102</td> </tr> <tr> <td></td> <td></td> <td>LIW</td> <td>102</td> <td></td> <td></td> </tr> </tbody> </table>						Brake	+L mm	Gearbox	+L mm	Gearbox	+L mm	1.5 Nm	28.2	M	85	LWS	127	2.0 Nm	32.4	GB12	110	LIS	108			MIW	83	PGS71	49 - 99			MIS	95	PGS80	52 - 102			LIW	102		
Brake	+L mm	Gearbox	+L mm	Gearbox	+L mm																																						
1.5 Nm	28.2	M	85	LWS	127																																						
2.0 Nm	32.4	GB12	110	LIS	108																																						
		MIW	83	PGS71	49 - 99																																						
		MIS	95	PGS80	52 - 102																																						
		LIW	102																																								
21 Radial load [distance from flange]	N [mm]	200 [15]																																									
Other data		<table border="1"> <thead> <tr> <th>Encoder</th> <th>+L mm</th> <th>Controller</th> </tr> </thead> <tbody> <tr> <td>Optical</td> <td>9</td> <td>SC 50/15</td> </tr> <tr> <td>Magnetic</td> <td>12</td> <td>ESCON</td> </tr> <tr> <td></td> <td></td> <td>EPOS</td> </tr> </tbody> </table>						Encoder	+L mm	Controller	Optical	9	SC 50/15	Magnetic	12	ESCON			EPOS																								
Encoder	+L mm	Controller																																									
Optical	9	SC 50/15																																									
Magnetic	12	ESCON																																									
		EPOS																																									

*additional length may also be required for mounting flange between components

PM3

PMDC motor
Ø76 mm frame // 45 mm stack

all dimensions in mm



Part number key		Available on request: Custom shaft length and diameter, shaft on both sides, special windings for specific voltages and speed, higher IP protection class, custom flanges and connectors					
Modular	#####	All products are built in accordance to performance tolerances from EN60034-1:2010. As continuous improvement, Parvalux periodically test their product range to ensure test results are as accurate as possible and are therefore subject to change. Please ensure you are using the latest datasheets found on our website					
Standard	#####						
Calculated data	#####						

Technical data							
1 Part number		774305	774306	774307	774308	774309	774310
2 Nominal power	W	119	119	119	119	119	119
3 Nominal voltage	V	12	24	40	48	110	220
4 No load speed	rpm	4364	4115	3676	3870	3874	4110
5 No load current	A	1.46	1.08	0.56	0.45	0.26	0.12
6 Nominal speed	rpm	3000	3000	3000	3000	3000	3000
7 Nominal continuous torque (S1)	Nm	0.38	0.38	0.38	0.38	0.38	0.38
8 Nominal continuous current (S1)	A	17.5	8.2	4.4	3.7	1.8	0.9
9 Max. intermittent torque (S2 - 15 minutes)	Nm	0.50	0.50	0.50	0.50	0.50	0.50
10 Stall current	A	72.0	40.3	30.0	24.0	9.4	4.2
11 Stall torque	Nm	1.9	2.1	2.9	2.8	2.3	2.1
12 Stack length	mm	45	45	45	45	45	45
13 Maximum efficiency	%	69	68	71	75	63	71
14 Terminal resistance - phase to phase	Ω	0.2	0.6	1.3	2.0	11.8	52.6
15 Terminal inductance - phase to phase	mH	-	-	-	-	-	-
16 Speed constant	rpm/V	351	175	89	77	35	18
17 Torque constant	Nm/A	0.024	0.053	0.099	0.120	0.250	0.510
18 Speed torque gradient	rpm/Nm	2601	1963	1283	1398	1715	1991
19 Rotor inertia	gcm²	1260	1260	1260	1260	1260	1260

Thermal data		Compatible products																																									
20 Ambient temperature	°C	40																																									
Mechanical data		<table border="1"> <thead> <tr> <th>Brake</th> <th>+L mm</th> <th>Gearbox</th> <th>+L mm</th> <th>Gearbox</th> <th>+L mm</th> </tr> </thead> <tbody> <tr> <td>1.5 Nm</td> <td>28.2</td> <td>M</td> <td>85</td> <td>LWS</td> <td>127</td> </tr> <tr> <td>2.0 Nm</td> <td>32.4</td> <td>GB12</td> <td>110</td> <td>LIS</td> <td>108</td> </tr> <tr> <td></td> <td></td> <td>MIW</td> <td>83</td> <td>PGS71</td> <td>49 - 99</td> </tr> <tr> <td></td> <td></td> <td>MIS</td> <td>95</td> <td>PGS80</td> <td>52 - 102</td> </tr> <tr> <td></td> <td></td> <td>LIW</td> <td>102</td> <td></td> <td></td> </tr> </tbody> </table>						Brake	+L mm	Gearbox	+L mm	Gearbox	+L mm	1.5 Nm	28.2	M	85	LWS	127	2.0 Nm	32.4	GB12	110	LIS	108			MIW	83	PGS71	49 - 99			MIS	95	PGS80	52 - 102			LIW	102		
Brake	+L mm	Gearbox	+L mm	Gearbox	+L mm																																						
1.5 Nm	28.2	M	85	LWS	127																																						
2.0 Nm	32.4	GB12	110	LIS	108																																						
		MIW	83	PGS71	49 - 99																																						
		MIS	95	PGS80	52 - 102																																						
		LIW	102																																								
21 Radial load [distance from flange]	N [mm]	200 [15]																																									
Other data		<table border="1"> <thead> <tr> <th>Encoder</th> <th>+L mm</th> <th>Controller</th> </tr> </thead> <tbody> <tr> <td>Optical</td> <td>9</td> <td>SC 50/15</td> </tr> <tr> <td>Magnetic</td> <td>12</td> <td>ESCON</td> </tr> <tr> <td></td> <td></td> <td>EPOS</td> </tr> </tbody> </table>						Encoder	+L mm	Controller	Optical	9	SC 50/15	Magnetic	12	ESCON			EPOS																								
Encoder	+L mm	Controller																																									
Optical	9	SC 50/15																																									
Magnetic	12	ESCON																																									
		EPOS																																									

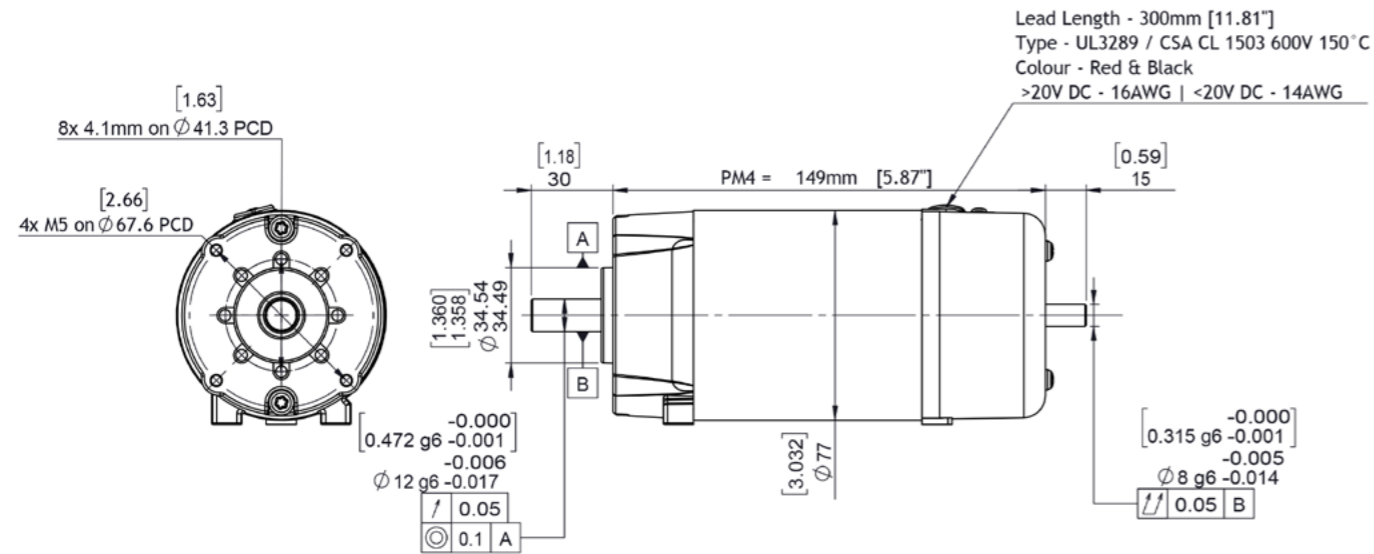
*additional length may also be required for mounting flange between components

PM4

PMDC motor

Ø76 mm frame // 57 mm stack

all dimensions in mm



Part number key		Available on request: Custom shaft length and diameter, shaft on both sides, special windings for specific voltages and speed, higher IP protection class, custom flanges and connectors					
Modular	#####	All products are built in accordance to performance tolerances from EN60034-1:2010. As continuous improvement, Parvalux periodically test their product range to ensure test results are as accurate as possible and are therefore subject to change. Please ensure you are using the latest datasheets found on our website					
Standard	#####						
Calculated data	#####						
Technical data							

1 Part number		774710	774711	774712	774713	774714	774715
2 Nominal power	W	141	141	141	141	141	141
3 Nominal voltage	V	12	24	40	48	110	220
4 No load speed	rpm	4436	3850	3697	4117	3856	4011
5 No load current	A	1.90	1.28	0.55	0.70	0.18	0.11
6 Nominal speed	rpm	3000	3000	3000	3000	3000	3000
7 Nominal continuous torque (S1)	Nm	0.45	0.45	0.45	0.45	0.45	0.45
8 Nominal continuous current (S1)	A	18.6	9.1	5.1	4.7	2.0	1.0
9 Max. intermittent torque (S2 - 15 minutes)	Nm	0.58	0.58	0.58	0.58	0.58	0.58
10 Stall current	A	63.4	44.3	33.4	20.0	10.4	5.2
11 Stall torque	Nm	1.7	2.5	3.2	2.1	2.6	2.6
12 Stack length	mm	57	57	57	57	57	57
13 Maximum efficiency	%	73	69	73	68	72	72
14 Terminal resistance - phase to phase	Ω	0.2	0.5	1.2	2.4	10.4	42.0
15 Terminal inductance - phase to phase	mH	-	-	-	-	-	-
16 Speed constant	rpm/V	343	161	90	86	35	17
17 Torque constant	Nm/A	0.027	0.058	0.098	0.110	0.250	0.510
18 Speed torque gradient	rpm/Nm	2695	1539	1143	1916	1470	1528
19 Rotor inertia	gcm ²	2830	2830	2830	2830	2830	2830

Thermal data		Compatible products																																					
20 Ambient temperature	°C	40																																					
Mechanical data		<table border="1"> <tr> <td>Brake</td> <td>+L mm</td> <td>Gearbox</td> <td>+L mm</td> <td>Gearbox</td> <td>+L mm</td> </tr> <tr> <td>1.5 Nm</td> <td>28.2</td> <td>M</td> <td>85</td> <td>LWS</td> <td>127</td> </tr> <tr> <td>2.0 Nm</td> <td>32.4</td> <td>GB12</td> <td>110</td> <td>LIS</td> <td>108</td> </tr> <tr> <td></td> <td></td> <td>MIW</td> <td>83</td> <td>PGS71</td> <td>49 - 99</td> </tr> <tr> <td></td> <td></td> <td>MIS</td> <td>95</td> <td>PGS80</td> <td>52 - 102</td> </tr> <tr> <td></td> <td></td> <td>LIW</td> <td>102</td> <td></td> <td></td> </tr> </table>	Brake	+L mm	Gearbox	+L mm	Gearbox	+L mm	1.5 Nm	28.2	M	85	LWS	127	2.0 Nm	32.4	GB12	110	LIS	108			MIW	83	PGS71	49 - 99			MIS	95	PGS80	52 - 102			LIW	102			
Brake	+L mm	Gearbox	+L mm	Gearbox	+L mm																																		
1.5 Nm	28.2	M	85	LWS	127																																		
2.0 Nm	32.4	GB12	110	LIS	108																																		
		MIW	83	PGS71	49 - 99																																		
		MIS	95	PGS80	52 - 102																																		
		LIW	102																																				
21 Radial load [distance from flange]	N [mm]	200 [15]																																					
Other data																																							
22 Number of poles		2																																					
23 Weight	Kg	2.5																																					
24 IP rating		IP54																																					
25 Enclosure		Enclosed																																					
26 Insulation Class		F																																					
27 Reversible		Yes																																					

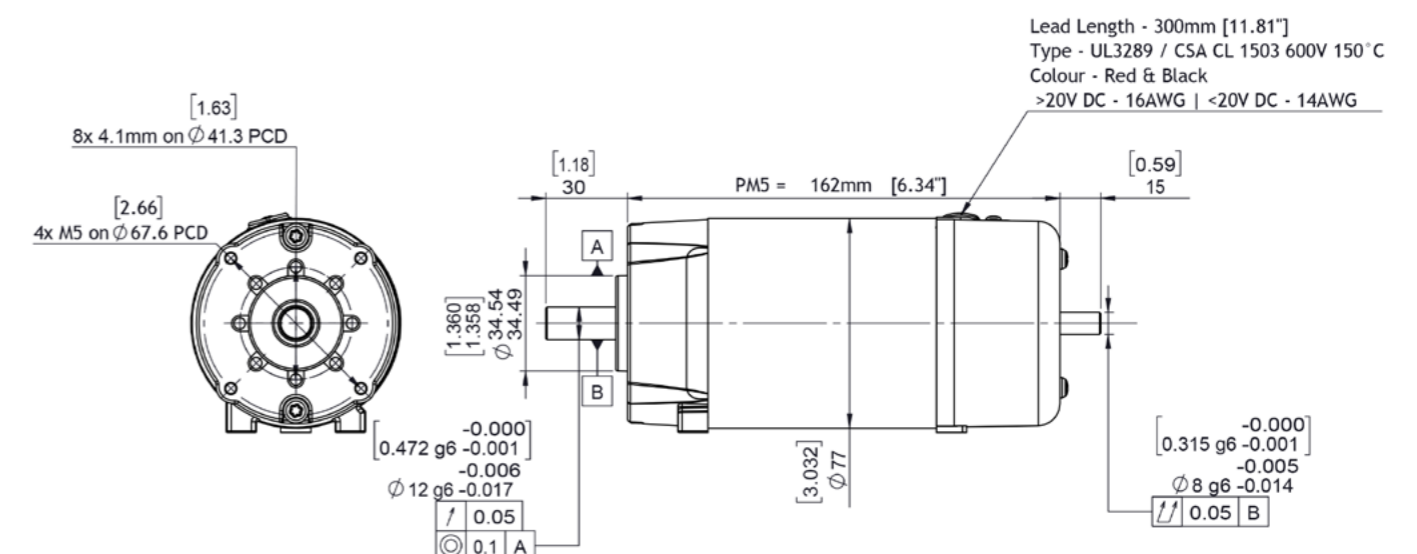
*additional length may also be required for mounting flange between components

PM5

PMDC motor

Ø76 mm frame // 69 mm stack

all dimensions in mm



Part number key		Available on request: Custom shaft length and diameter, shaft on both sides, special windings for specific voltages and speed, higher IP protection class, custom flanges and connectors					
Modular	#####	All products are built in accordance to performance tolerances from EN60034-1:2010. As continuous improvement, Parvalux periodically test their product range to ensure test results are as accurate as possible and are therefore subject to change. Please ensure you are using the latest datasheets found on our website					
Standard	#####						
Calculated data	#####						
Technical data							

1 Part number		774940	774941	774942	774943	774944	774945
2 Nominal power	W	170	170	170	170	170	170
3 Nominal voltage	V	12	24	40	48	110	220
4 No load speed	rpm	3602	3869	3789	3748	3511	3726
5 No load current	A	1.80	1.31	0.41	0.77	0.29	0.11
6 Nominal speed	rpm	3000	3000	3000	3000	3000	3000
7 Nominal continuous torque (S1)	Nm	0.54	0.54	0.54	0.54	0.54	0.54
8 Nominal continuous current (S1)	A	18.3	10.6	5.6	4.9	2.1	1.1
9 Max. intermittent torque (S2 - 15 minutes)	Nm	0.70	0.70	0.70	0.70	0.70	0.70
10 Stall current	A	66.0	53.4	36.0	26.0	12.3	1.1
11 Stall torque	Nm	2.1	3.0	3.6	3.3	3.6	3.3
12 Stack length	mm	69	69	69	69	69	69
13 Maximum efficiency	%	73	71	81	75	73	74
14 Terminal resistance - phase to phase	Ω	0.18	0.45	1.13	1.85	8.97	36.00
15 Terminal inductance - phase to phase	mH	-	-	-	-	-	-
16 Speed constant	rpm/V	301	156	91	78	32	16
17 Torque constant	Nm/A	0.033	0.058	0.100	0.130	0.300	0.550
18 Speed torque gradient	rpm/Nm	1723	1284	1048	1146	975	1136
19 Rotor inertia	gcm ²	3250	3250	3250	3250	3250	3250

Thermal data		Compatible products																																					
20 Ambient temperature	°C	40																																					
Mechanical data		<table border="1"> <tr> <td>Brake</td> <td>+L mm</td> <td>Gearbox</td> <td>+L mm</td> <td>Gearbox</td> <td>+L mm</td> </tr> <tr> <td>1.5 Nm</td> <td>28.2</td> <td>M</td> <td>85</td> <td>LWS</td> <td>127</td> </tr> <tr> <td>2.0 Nm</td> <td>32.4</td> <td>GB12</td> <td>110</td> <td>LIS</td> <td>108</td> </tr> <tr> <td></td> <td></td> <td>MIW</td> <td>83</td> <td>PGS71</td> <td>49 - 99</td> </tr> <tr> <td></td> <td></td> <td>MIS</td> <td>95</td> <td>PGS80</td> <td>52 - 102</td> </tr> <tr> <td></td> <td></td> <td>LIW</td> <td>102</td> <td></td> <td></td> </tr> </table>	Brake	+L mm	Gearbox	+L mm	Gearbox	+L mm	1.5 Nm	28.2	M	85	LWS	127	2.0 Nm	32.4	GB12	110	LIS	108			MIW	83	PGS71	49 - 99			MIS	95	PGS80	52 - 102			LIW	102			
Brake	+L mm	Gearbox	+L mm	Gearbox	+L mm																																		
1.5 Nm	28.2	M	85	LWS	127																																		
2.0 Nm	32.4	GB12	110	LIS	108																																		
		MIW	83	PGS71	49 - 99																																		
		MIS	95	PGS80	52 - 102																																		
		LIW	102																																				
21 Radial load [distance from flange]	N [mm]	200 [15]																																					
Other data																																							
22 Number of poles		2																																					
23 Weight	Kg	2.7																																					
24 IP rating		IP54																																					
25 Enclosure		Enclosed																																					
26 Insulation Class		F																																					
27 Reversible		Yes																																					

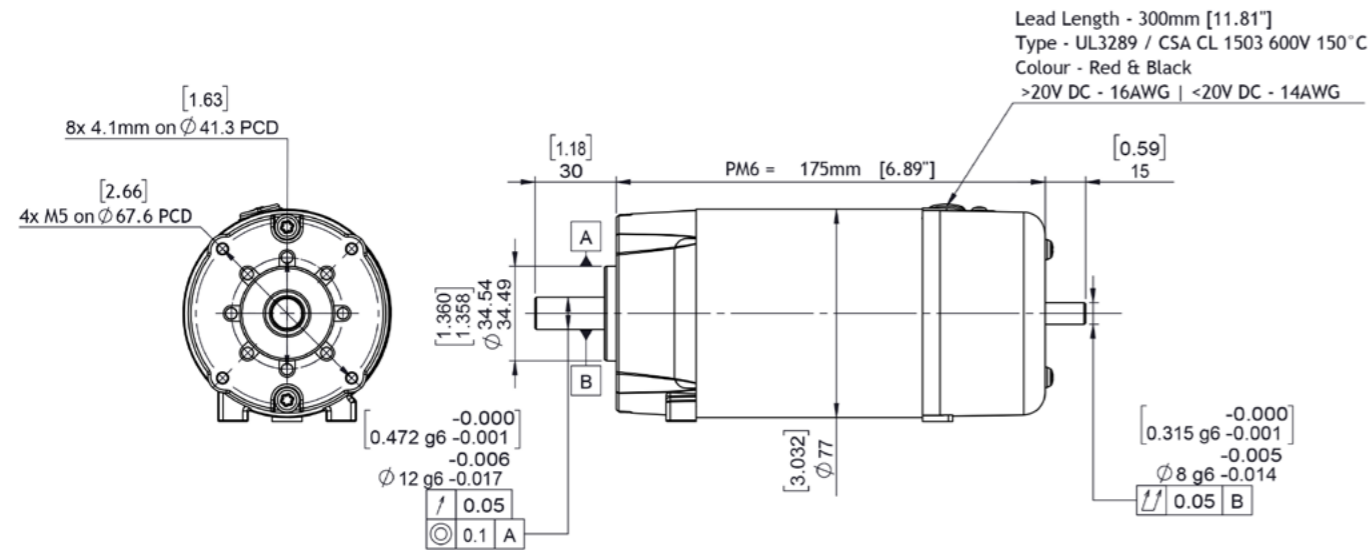
*additional length may also be required for mounting flange between components

PM6

PMDC motor

Ø76 mm frame // 69 mm stack

all dimensions in mm

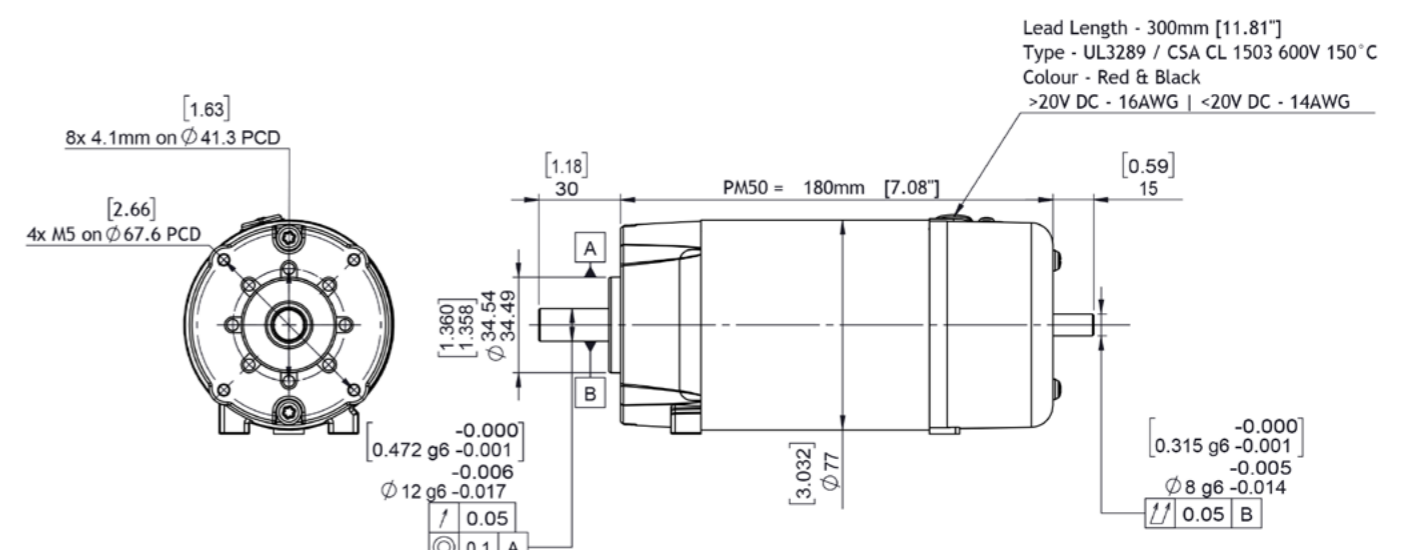


PM50

PMDC motor

Ø76 mm frame // 81 mm stack

all dimensions in mm



all dimensions in mm

Part number key		Available on request: Custom shaft length and diameter, shaft on both sides, special windings for specific voltages and speed, higher IP protection class, custom flanges and connectors				
Modular	#####	All products are built in accordance to performance tolerances from EN60034-1:2010. As continuous improvement, Parvalux periodically test their product range to ensure test results are as accurate as possible and are therefore subject to change. Please ensure you are using the latest datasheets found on our website				
Standard	#####					
Calculated data	#####					

Technical data							
1 Part number		775121	775122	775123	775124	775125	775126
2 Nominal power	W	220	220	220	220	220	220
3 Nominal voltage	V	12	24	40	48	110	220
4 No load speed	rpm	4322	3869	3789	3748	3511	3726
5 No load current	A	2.20	1.31	0.41	0.77	0.29	0.11
6 Nominal speed	rpm	3000	3000	3000	3000	3000	3000
7 Nominal continuous torque (S1)	Nm	0.7	0.7	0.7	0.7	0.7	0.7
8 Nominal continuous current (S1)	A	2.78	13.4	7.2	6.2	2.6	1.4
9 Max. intermittent torque (S2 - 15 minutes)	Nm	0.9	0.9	0.9	0.9	0.9	0.9
10 Stall current	A	94.0	53.4	36.0	26.0	12.3	1.1
11 Stall torque	Nm	2.5	3.0	3.6	3.3	3.6	3.3
12 Stack length	mm	69	69	69	69	69	69
13 Maximum efficiency	%	75	71	81	75	73	74
14 Terminal resistance - phase to phase	Ω	0.13	0.45	1.13	1.85	8.97	36.00
15 Terminal inductance - phase to phase	mH	-	-	-	-	-	-
16 Speed constant	rpm/V	359	156	91	78	32	16
17 Torque constant	Nm/A	0.027	0.058	0.100	0.130	0.300	0.550
18 Speed torque gradient	rpm/Nm	1723	1284	1048	1146	975	1136
19 Rotor inertia	gcm²	3250	3250	3250	3250	3250	3250

Thermal data		Compatible products					
20 Ambient temperature	°C	40					
Mechanical data							
21 Radial load [distance from flange]	N [mm]	200 [15]					
Other data							
22 Number of poles		2					
23 Weight	Kg	2.7					
24 IP rating		IP21					
25 Enclosure		Ventilated					
26 Insulation Class		F					
27 Reversible		Yes					

Brake	+L mm	Gearbox	+L mm	Gearbox	+L mm
1.5 Nm	28.2	M	85	LWS	127
2.0 Nm	32.4	GB12	110	LIS	108
		MIW	83	PGS71	49 - 99
		MIS	95	PGS80	52 - 102
		LIW	102		

Encoder	+L mm	Controller
Optical	9	SC 50/15
Magnetic	12	ESCON
		EPOS

*additional length may also be required for mounting flange between components

Part number key		Available on request: Custom shaft length and diameter, shaft on both sides, special windings for specific voltages and speed, higher IP protection class, custom flanges and connectors					
Modular	#####	All products are built in accordance to performance tolerances from EN60034-1:2010. As continuous improvement, Parvalux periodically test their product range to ensure test results are as accurate as possible and are therefore subject to change. Please ensure you are using the latest datasheets found on our website					
Standard	#####						
Calculated data	#####						

Technical data							
1 Part number		775158	775159	775160	775161	775162	775163
2 Nominal power	W	210	210	210	210	210	210
3 Nominal voltage	V	12	24	40	48	110	220
4 No load speed	rpm	3559	3865	3748	3641	3668	3797
5 No load current	A	2.30	1.30	0.65	0.52	0.27	0.14
6 Nominal speed	rpm	3000	3000	3000	3000	3000	3000
7 Nominal continuous torque (S1)	Nm	0.67	0.67	0.67	0.67	0.67	0.67
8 Nominal continuous current (S1)	A	22.5	12.3	7.6	6.2	2.5	1.3
9 Max. intermittent torque (S2 - 15 minutes)	Nm	1.17	1.17	1.17	1.17	1.17	1.17
10 Stall current	A	101.0	80.0	51.0	40.4	19.0	8.6
11 Stall torque	Nm	3.3	4.8	4.8	4.7	5.5	4.8
12 Stack length	mm	81	81	81	81	81	81
13 Maximum efficiency	%	74	79	75	75	81	79
14 Terminal resistance - phase to phase	Ω	0.12	0.30	0.78	1.19	5.85	25.50
15 Terminal inductance - phase to phase	mH	-	-	-	-	-	-
16 Speed constant	rpm/V	296	156	88	71	33	17
17 Torque constant	Nm/A	0.336	0.060	0.090	0.120	0.290	0.570
18 Speed torque gradient	rpm/Nm	1079	809	777	777	666	797
19 Rotor inertia	gcm²	4600	4600	4600	4600	4600	4600

Thermal data		Compatible products					
20 Ambient temperature	°C	40					
Mechanical data							
21 Radial load [distance from flange]	N [mm]	200 [15]					
Other data							
22 Number of poles		2					
23 Weight	Kg	2.9					
24 IP rating		IP54					
25 Enclosure		Enclosed					
26 Insulation Class		F					
27 Reversible		Yes					

Brake	+L mm	Gearbox	+L mm	Gearbox	+L mm
1.5 Nm	28.2	M	85	LWS	127
2.0 Nm	32.4	GB12	110	LIS	108
		MIW	83	PGS71	49 - 99
		MIS	95	PGS80	52 - 102
		LIW	102		

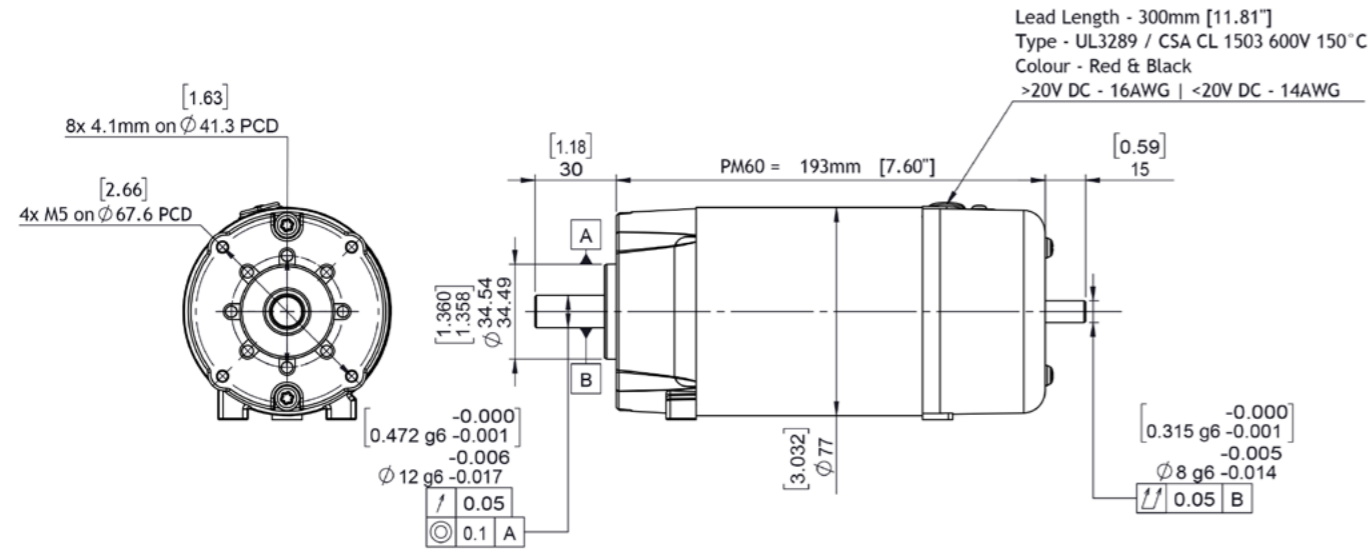
Encoder	+L mm	Controller
Optical	9	SC 50/15
Magnetic	12	ESCON
		EPOS

*additional length may also be required for mounting flange between components

PM60 PMDC motor

Ø76 mm frame // 81 mm stack

all dimensions in mm



Part number key

Modular	#####
Standard	#####
Calculated data	#####

Available on request: Custom shaft length and diameter, shaft on both sides, special windings for specific voltages and speed, higher IP protection class, custom flanges and connectors

All products are built in accordance to performance tolerances from EN60034-1:2010. As continuous improvement, Parvalux periodically test their product range to ensure test results are as accurate as possible and are therefore subject to change. Please ensure you are using the latest datasheets found on our website

Technical data

1 Part number		775166	775167	775168	775169	775170	775171
2 Nominal power	W	273	273	273	273	273	273
3 Nominal voltage	V	12	24	40	48	110	220
4 No load speed	rpm	3562	3638	3846	3564	4091	3983
5 No load current	A	2.50	1.20	0.59	0.77	0.35	0.13
6 Nominal speed	rpm	3000	3000	3000	3000	3000	3000
7 Nominal continuous torque (S1)	Nm	0.87	0.87	0.87	0.87	0.87	0.87
8 Nominal continuous current (S1)	A	28.5	14.8	9.4	8.0	3.6	1.8
9 Max. intermittent torque (S2 - 15 minutes)	Nm	1.15	1.15	1.15	1.15	1.15	1.15
10 Stall current	A	112.0	76.0	54.0	55.0	17.4	8.7
11 Stall torque	Nm	3.7	4.8	5.3	6.4	4.5	4.7
12 Stack length	mm	81	81	81	81	81	81
13 Maximum efficiency	%	77	79	80	74	77	78
14 Terminal resistance - phase to phase	Ω	0.11	0.32	0.74	0.87	6.34	25.30
15 Terminal inductance - phase to phase	mH	-	-	-	-	-	-
16 Speed constant	rpm/V	285	146	92	73	37	17
17 Torque constant	Nm/A	0.034	0.064	0.098	0.120	0.260	0.530
18 Speed torque gradient	rpm/Nm	974	760	732	552	906	874
19 Rotor inertia	gcm²	4600	4600	4600	4600	4600	4600

Thermal data

20 Ambient temperature	°C	40
------------------------	-----------	----

Mechanical data

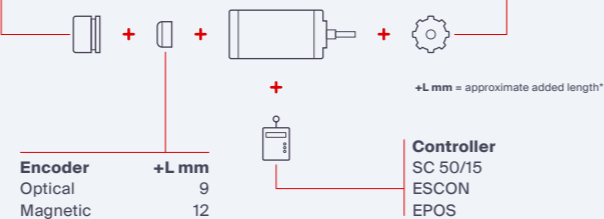
21 Radial load [distance from flange]	N [mm]	200 [15]
---------------------------------------	---------------	----------

Other data

22 Number of poles		2
23 Weight	Kg	2.9
24 IP rating		IP21
25 Enclosure		Ventilated
26 Insulation Class		F
27 Reversible		Yes

Compatible products

Brake	+L mm	Gearbox	+L mm	Gearbox	+L mm
1.5 Nm	28.2	M	85	LWS	127
2.0 Nm	32.4	GB12	110	LIS	108
		MIW	83	PGS71	49 - 99
		MIS	95	PGS80	52 - 102
		LIW	102		



*additional length may also be required for mounting flange between components

Notes

all dimensions in mm